

OBSOLETE PRODUCT

Contact Factory for Replacement Model



- 2:1 Input Voltage Range
- Operating Temperature Range: -40°C to +100°C
- Industrial Standard 24 Pin DIL
- Metal Case
- Low Profile 0.4 Inch
- Short Circuit Protection
- Temperature Shutdown

The WP06R SERIES is a family of high performance DC/DC converters that offers regulated output power over three input voltage ranges of 9-18V, 18-36V, and 34-75V and over a wide operating temperature range of -40°C to +100°C without derating.

The 200kHz switching frequency and flyback converter topology provide

optimum performance in a space-saving package. The design utilizes all surface mounted components, including magnetics, to provide enhanced reliability. All models will operate under no-load conditions, although a minimum load is specified for load regulation measurement purposes.

The converter is packaged in a metal

case for improved EMI shielding and immunity, and for superior thermal performance.

Applications include: Telecommunications, Battery Powered Systems, Portable Instruments, Process Control Equipment, Transportation Equipment and Distributed Power Systems.

PRODUCT SELECTION CHART

MODEL*	NOMINAL INPUT VOLTAGE (VDC)	RATED OUTPUT VOLTAGE (VDC)	OUTPUT CURRENT (mA)		INPUT CURRENT (mA)		EFFICIENCY (%)
			MIN LOAD	RATED LOAD	MIN LOAD	RATED LOAD	
WP06R12S05	12	5.0	100	1,000	75	540	75
WP06R12S12	12	12.0	42	416	75	520	77
WP06R12S15	12	15.0	33	333	75	520	77
WP06R12D05	12	+/-5.0	+/-50	+/-500	75	540	75
WP06R12D12	12	+/-12.0	+/-21	+/-208	75	520	77
WP06R12D15	12	+/-15.0	+/-17	+/-167	75	520	77
WP06R24S05	24	5.0	100	1,000	35	265	79
WP06R24S12	24	12.0	50	500	40	305	80
WP06R24S15	24	15.0	40	400	40	305	80
WP06R24D05	24	+/-5.0	+/-50	+/-500	35	265	79
WP06R24D12	24	+/-12.0	+/-25	+/-250	40	310	80
WP06R24D15	24	+/-15.0	+/-20	+/-200	40	310	80
WP06R48S05	48	5.0	100	1,000	18	130	80
WP06R48S12	48	12.0	50	500	22	150	81
WP06R48S15	48	15.0	40	400	22	150	81
WP06R48D05	48	+/-5.0	+/-50	+/-500	18	133	78
WP06R48D12	48	+/-12.0	+/-25	+/-250	22	151	81
WP06R48D15	48	+/-15.0	+/-20	+/-200	22	151	81

NOTES: Other input to output voltages may be available. Please consult factory.



For full details go to www.murata-ps.com/rohs

SPECIFICATIONS, ALL MODELS

Specifications are at $T_A = +25^{\circ}\text{C}$ nominal input voltage, rated output current unless otherwise specified.

	PARAMETER	CONDITIONS	MIN	TYP	MAX	UNITS	
OUTPUT	INPUT						
	Voltage Range		9	12	18	V_{DC}	
				18	24	36	V_{DC}
				34	48	75	V_{DC}
	Reflected Ripple Current			20		mAp-p	
	OUTPUT						
	Rated Power	12V Input Models				5.0	W
		5V Output Models				5.0	W
		All Other Models				6.0	W
	Voltage Setpoint Accuracy				± 1.5	%	
Temperature Coefficient			± 0.02		$\%/^{\circ}\text{C}$		
Line Regulation - Singles	Low Line to High Line			± 0.25	%		
Line Regulation - Duals				± 1.0	%		
Load Regulation - Singles	Min. Load to Rated Load			± 0.5	%		
Load Regulation - Duals				± 2.0	%		
Ripple & Noise	BW = 5Hz to 20MHz		30	50	mVp-p		
GENERAL	GENERAL						
	ISOLATION						
	Rated Voltage		1500			V_{DC}	
	Test Voltage	60 Hz, 10 Seconds	1500			VPK	
	Resistance			10		Ω	
	Capacitance			200		pF	
	Leakage Current	$V_{iso} = 240\text{VAC}, 60\text{Hz}$		15		μArms	
	Switching Frequency			200		KHz	
	MTTF per MIL-HDBK-217, Rev. F Ground Benign	Circuit Stress Method $T_A = +25^{\circ}\text{C}$		1200		KHr	
	Package Weight			15		g	
	Moisture Sensitivity Level (MSL)	IPC/JEDEC J-STD-20		2			
	TEMPERATURE						
	Specification (Ambient)		-40		+71	$^{\circ}\text{C}$	
	Operation (Case)	Derate linearly from 71°C	-40		+100	$^{\circ}\text{C}$	

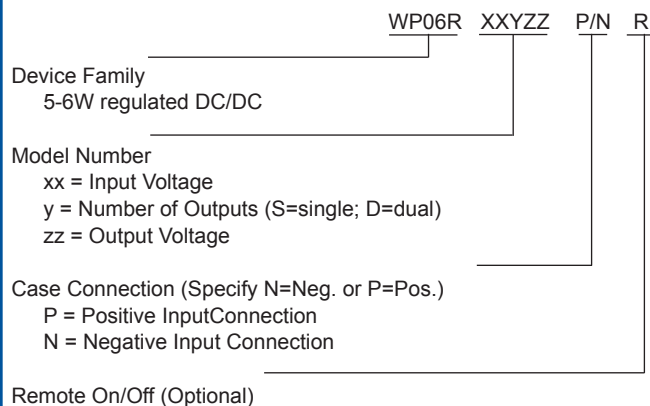
REMOTE ON/OFF CONTROL

Logic Compatibility CMOS or Open Collector TTL
 EC On Open Circuit or > 3VDC
 EC Off < 1VDC
 Shutdown Idle Current 1mA
 Control Common -Vin

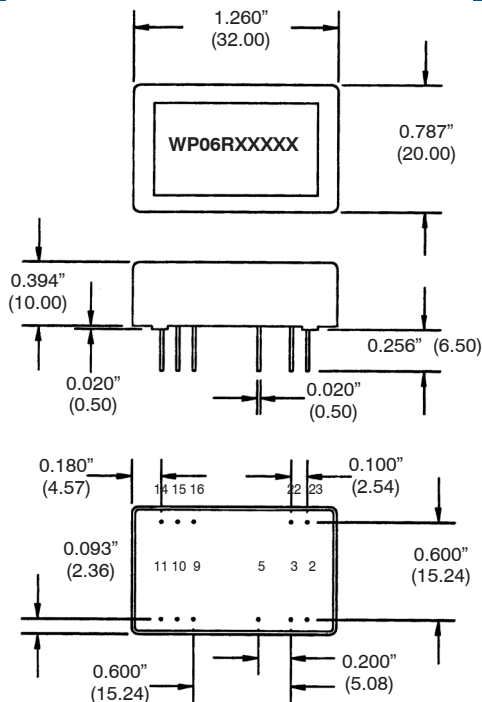
ABSOLUTE MAXIMUM RATINGS

Output Short-Circuit Protection
 (At $T_A + 25^{\circ}\text{C}$, nominal input voltage) Continuous
 Internal Power Dissipation 1.5W
 Lead Temperature (Soldering, 10s Max) $+300^{\circ}\text{C}$
 Max Case Temperature $+100^{\circ}\text{C}$

ORDERING INFORMATION



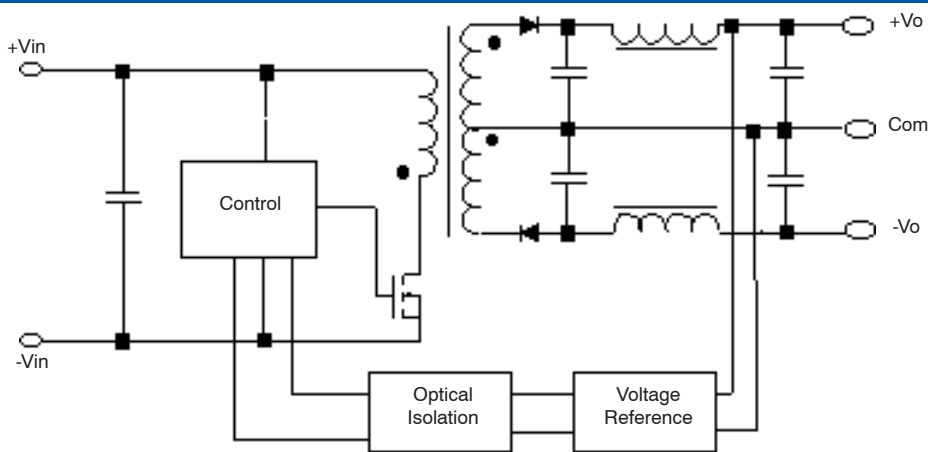
MECHANICAL



PIN CONNECTIONS		
Number	Pin Function	
	Singles	Duals
2	-Vin	-Vin
3	-Vin	-Vin
5	On/Off (Optional)	On/Off (Optional)
9	No Connection	Com
10	No Connection	No Connection
11	No Connection	-Vout
14	+Vout	+Vout
15	No Connection	No Connection
16		-Vout Com
22	+Vin	+Vin
23	+Vin	+Vin

NOTES:
 1) All dimensions in inches (mm)
 2) Case is metal and lead material is brass with a solder plated surface to allow ease of solderability.

SIMPLIFIED CIRCUIT SCHEMATIC



THERMAL DERATING CURVE

